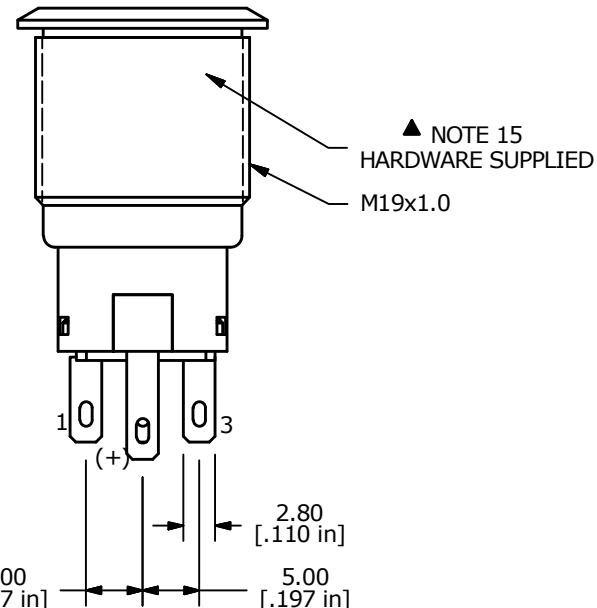
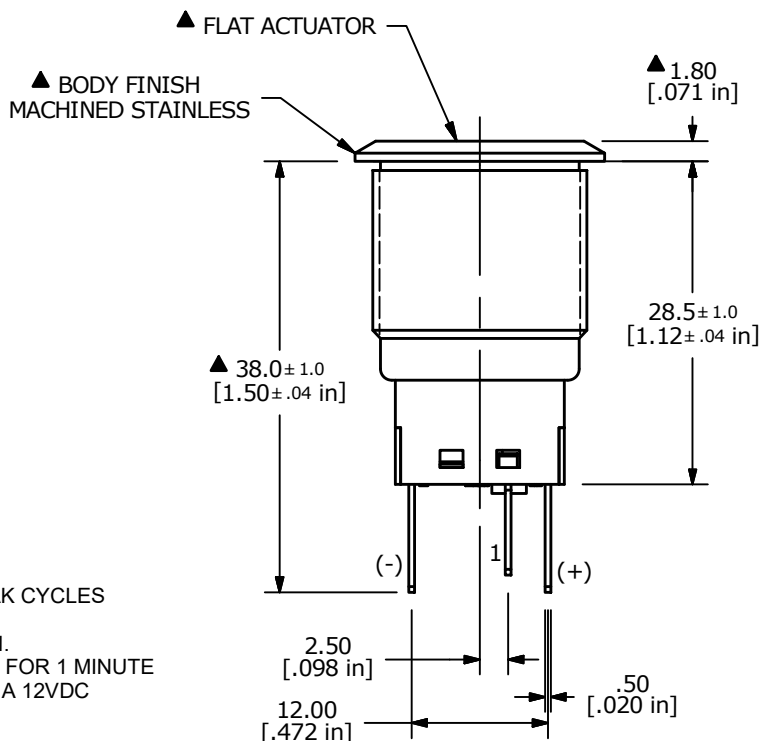
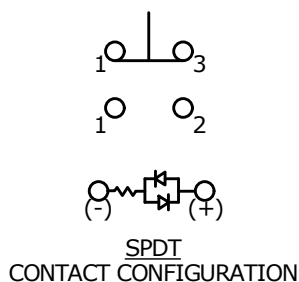
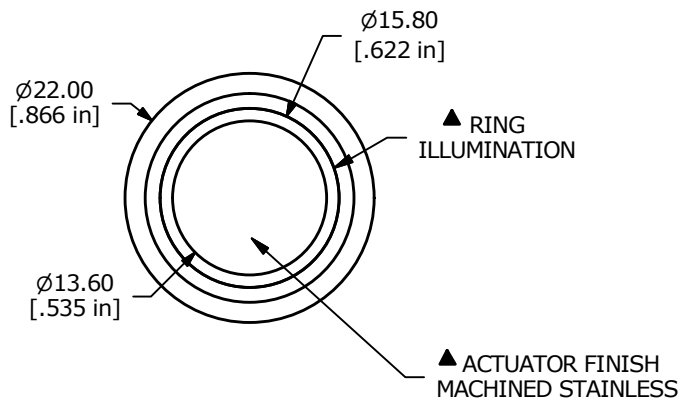


| SWITCH FUNCTION | |
|-----------------|--------|
| POS. 1 | POS. 2 |
| | |
| ON | (ON) |
| 1-3 | 1-2 |

(ON) = MOMENTARY



- NOTE:
- ALL DIMENSIONS IN MM [INCH]
 - GENERAL TOLERANCE: X.X=±0.4
X.XX=±0.25
 - TERMINAL NUMBERS FOR REF ONLY
 - INTERNAL CONTACT MATERIAL: GOLD
 - RATING: 2A 24VDC
 - ELECTRIC LIFE: 50,000 MAKE-AND-BREAK CYCLES AT FULL LOAD.
 - INSULATION RESISTANCE: 1,000 MΩ MIN.
 - DIELECTRIC STRENGTH: 2,000 VAC MIN. FOR 1 MINUTE
 - CONTACT RESISTANCE: 50mΩ MAX. @ 1A 12VDC
 - OPERATING TEMP.: -20°C to 55°C
 - TRAVEL: 2.8mm
 - ▲ DENOTES CRITICAL PARAMETER.
 - LAMP VOLTAGE: 12V
 - INGRESS PROTECTION: IP65
 - HARDWARE SUPPLIED: O-RING AND HEXNUT
 - ILLUMINATION COLOR: BLUE (BLUE FORWARD / BLUE REVERSE)



| | | | | |
|-----|--------|------------------------------|----------|-----|
| B | 23601 | UPDATED RATING TO 2A @ 24VDC | 10/10/18 | MJR |
| A | 21102 | RELEASE FOR PRODUCTION | 4/18/13 | EBP |
| REV | PCR NO | DESCRIPTION | DATE | BY |

| | | | | |
|----------------------|----------------|--------|----------------------|-------|
| TITLE PV4F2B0SSG-344 | | | | |
| SCALE 3:2 | DATE 4/18/2013 | DR EBP | DWG 52-PV4F2B0SSG344 | REV B |

THE INFORMATION CONTAINED IN THIS DOCUMENT IS PROPRIETARY TO E-SWITCH AND IS NOT TO BE COPIED OR TRANSFERRED